

RetroGrip® Anti Slip Inserts by GripDeck

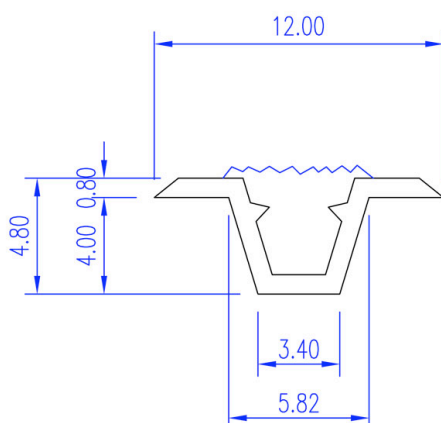
RetroGrip® Specification

GripDeck UK LLP introduces RetroGrip® anti slip inserts, a highly attractive, easily installed and cost effective slip resistant solution for existing grooved decking.

RetroGrip® inserts are supplied as aluminium inserts, filled with epoxy resin and hard wearing aggregates. Fitted with nothing more than a line of adhesive, we really couldn't have made it easier to add a slip resistant finish to your existing decking. In areas of uneven decking or in high footfall areas, you may need fix using adhesive and RetroGrip® screws. See installation guides for more information.

Brand name	RetroGrip®
Manufacturer	GripDeck UK LLP
Standard Length	1.0 metres
Other Lengths	1.2m / 1.5m / 1.8m / 2.0m
Width	12 mm
Weight	0.06 kg/m
Compatibility	Fits most grooved decking profiles. We recommend customers request a free sample to ensure it fits your existing decking before placing an order.
Aluminium Base	Alloy extrusion 6063 T6 to BS EN573 & BS EN755
Aluminium Finishes	Standard Silver or Grey Powder Coated
Resin	Solvent and diluent free epoxy
Aggregate	RASC Guyanan Bauxite or Dynagrip
Standard Aggregate Colour	Standard Grey or Black
Minimum particle size	0.5mm
Approved Adhesive	GeoCel The Works Adhesive or equivalent wet applied adhesive
Fixing Screws	Toughened / Sharpened RetroGrip® screws (only required on uneven decking, high footfall areas etc)

Standard Profile



Anti-Slip Testing (Skid Resistance)

- Tested to BS 7976-2
- RetroGrip® exceeds slip standards in the wet
- PTV Score Over 35 = Low slip risk
- RetroGrip® Dry Score: 96 Very Low risk
- RetroGrip® Wet Score: 72 Very Low risk

Cutting

RetroGrip® inserts can be cut with an angle grinder, using a metal cutting disc or diamond blade. We recommend the following PPE: Gloves goggles, dust mask and ear defenders.

Warning: Sparks and heat may be generated during the grinding / cutting process. Ensure this process is carried out in a safe area away from flammable materials, liquids and gases. Allow the ends of the inserts to cool before handling.

Installation: Separate instructions for fitting / installation are available for download from RetroGrip.co.uk